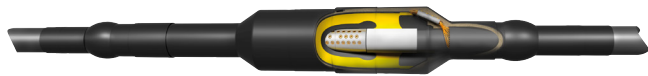


Premolded one-piece cable joint, 245 kV



JS
Premolded straight cable joint.



JX
Premolded cable joint with screen interruption.

Use

For jointing XLPE- and EPR-insulated 245 kV cables with Al- or Cu-conductor.

Standard

Meets the requirements of:

- IEC 62067 including Annex D
- IEEE 404

Design

The joint body is made of rubber in three layers: a conductive inner layer, an insulating layer and a conductive outer layer. The cable joint has a prefabricated PUR casted copper casing as a protective outer jacket.

The joint is supplied complete with bolted cable connector for both conductor and screen.

The joint is available in two different types

JS Straight cable joint with heat-shrink outer jacket.

JX Cable joint with integrated screen interruption and heatshrink outer jacket.

There are joints for different types of cable screen

C For cables with copper wire screen.

P For aluminium laminated cables (APL).

M For cables with metal sheath; lead, corrugated copper/aluminium or corrugated stainless steel.

The following cable data should be stated when ordering, see page 5/1:

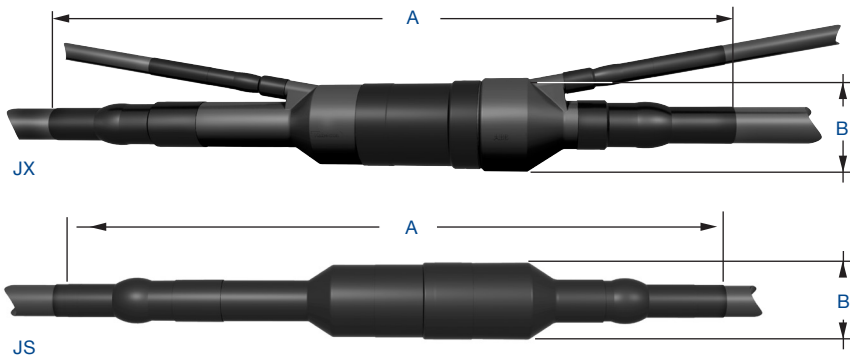
- Voltage
- Diameter over prepared insulation
- Conductor cross section
- Conductor material copper or aluminium
- Diameter of conductor
- Screen, sheath design and cross section
- Overall cable diameter
- Optical fibres integrated in screen

Note:

- Torque wrench and installation tool RKM 245 are needed for assembling (installation cone is included).
- For corrugated aluminium and stainless steel the flux is not included in the soldering kit. For flux, please contact your local supplier.

Voltage	Cable insulation diameter		Outer sheath max Ø	Conductor cross section
	min	max		
kV	mm		mm	mm ²
245	74	120	143	500–2500

Technical specification, tools and accessories



Description	Designation	Dimensions		Net weight kg
		A mm	B	
Cable joint with casing	JS-A 245 P	2690	326	170–200
	JS-A 245 M	3250	325	180–210
	JS-A 245 C	3250	325	170–200
Cable joint without casing and with outer heat-shrink protection	JS-B 245 C	2280	290	170–200
Cable joint with casing and integrated screen interruption	JX-B 245 P	2730	355	170–200
	JX-B 245 M	3060	370	180–210
	JX-B 245 C	2730	355	170–200

JS 245 and JX 245

Insulation diameter mm	Joint body size	Insulation diameter mm	Joint body size
74–81	10	92–102	13
79–87	11	100–110	14
85–94	12	108–120	15

Accessories, to be ordered separately



RKM 245
Installation tool.



OKJ 1
Opto fiber kit for cables with integrated optical fibers in the screen.

Designation	Description
RKM 245	Installation tool including installation cone
OKJ 1	Kit for optical fibers
Soldering kit	For soldering of the casing halves if required (only P and C versions)